

Description

Transmits a high frequency scaled electrical pulse signal for each discrete unit of liquid volume metered. Transmitter is magnetically coupled to the meter shaft and uses an optical encoder for CW or CCW shaft rotation.

Mounts to

Meter Type	Size	Meter Materials
Nutating Disc	¾" - 2 ½"	Epoxy Coated Cast Iron
	1", 2", 2.5", 3", 4"	Bronze Bronze
Oscillating Piston	1" or 2"	Stainless Steel

Technical Information

Functional Specifications

Registration	No display
Operation	Magnetically coupled drive
Power Supply	12-24 VDC
Power Consumption	0.375 Watts at 15 VDC
Output Signal	12 to 15 VDC , 70 microseconds square pulse nominal @ 15 VDC Open collector: 0 to supplied voltage, internal 10 K/¼ Watts Pull up resistor option supplied
Temperature	Use vertical extension if liquid > 250° F (121° C)



R-25 Pulse Transmitter with Explosion Proof Enclosure

Physical Specifications

Materials of Construction	
Case	Aluminum
Mounting Position	Top, horizontal
Enclosure	Explosion Proof, Watertight
Electrical Connection	0.5" Female NPT, Qty = 4
Signal Wiring	18 gauge 3 or 4 conductor shielded

Ordering Information

MODEL R25

Engineering Units _____

1Gallons

2Pounds

3Imperial Gallons

4Liters

9Special

Register Extension _____

0No

16"

212"

R-25 Transmitter with Explosion Proof Enclosure

From the tables below, select meter size, range, and K-factor.

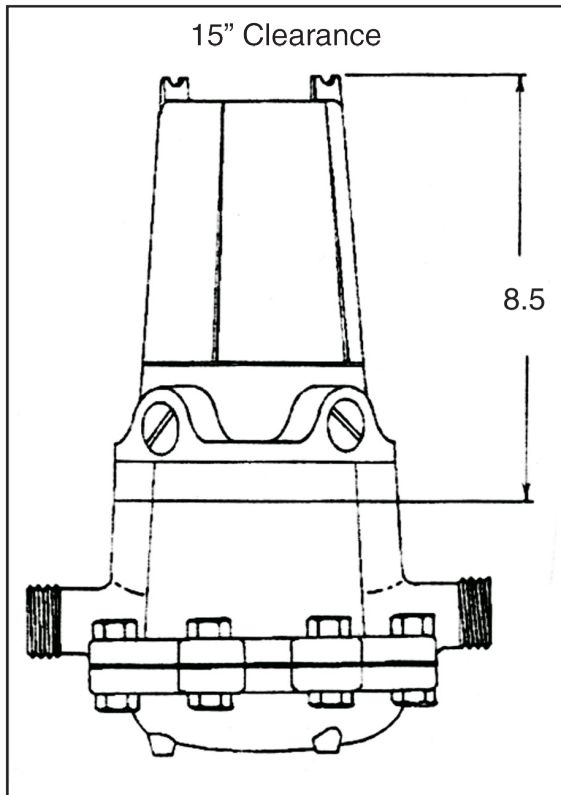
Note: These K-factors are calculated for ideal conditions. Wear of any parts cannot be anticipated. For critical applications, the meter should be recalibrated to establish an exact K-factor for that meter

NUTATING DISC			
Size	GPM	Ratio	K-Factor Pulses/Gallon
¾"	.5 - 5	256:1	459
		64:1	1836
1"	1 - 20	125:1	692
		25:1	3463
		5:1	17316
1 ¼"	2 - 30	125:1	347
		25:1	1735
		5:1	8676
1 ½"	3 - 50	125:1	173
		25:1	869
		5:1	4347
2"	5 - 100	125:1	78
		25:1	390
		5:1	2600
2 ½"	8 - 160	125:1	42
		25:1	391
		5:1	1953

OSCILLATING PISTON			
Size	GPM	Ratio	K-Factor Pulses/Gallon
1"	7-70	125:1	148
		25:1	738
		5:1	3688
2"	15-150	125:1	64
		25:1	318
		5:1	1590

Dimensions

(inches)



venture
MEASUREMENT

NIR-025 Rev. C

2011 All rights reserved.
All data subject to change without notice.